

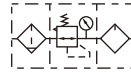
Preparation unit——GA Series

GAC Series F.R.L. combination

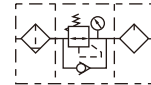


Symbol

No reflux valve is attached



Reflux valve is attached



Product feature

1. Oil dripping adopts gap seal structure, which makes the adjustment of oil supply more reliable.
2. Oil feed ring can only make one full turn. The quantity of oil supply, basically taking on linear distribution. The quantity of oil supply can be generally calculated according to the position of graduation ring.
3. Filling of oil while the lubricator is under pressure is made possible.
4. Special drip nozzle structure will produce negative pressure in oil dripping outlet and the mist flow is minimal.
5. Quick and reliable mounting clamps makes it convenient to install and use.
6. The performance of pressure adjustment is reliable with high precision.
7. The efficiency of eliminating moisture and solid grain is high.
8. Two drain types are available: manual drain+semi-auto drain and automatic drain.
9. Three bowl materials are available: PC, Metal and Nylon.

Specification

| Model | GAC200-06 | GAC200-08 | GAC300-08 | GAC300-10 | GAC300-15 | GAC400-10 | GAC400-15 | GAC500-20 | GAC600-20 | GAC600-25 | |
|------------------------|-------------------------|-----------|-----------|-----------|-----------|-----------|-----------|-----------|-----------|-----------|-----------|
| Fluid | Air | | | | | | | | | | |
| Port size [Note1] | 1/8" | 1/4" | 1/4" | 3/8" | 1/2" | 3/8" | 1/2" | 3/4" | 3/4" | 1" | |
| Filtering grade | 40 μm or 5 μm | | | | | | | | | | |
| Pressure range | 0.15~0.9MPa(20~130psi) | | | | | | | | | | |
| Max. pressure | 1.0MPa(145psi) | | | | | | | | | | |
| Proof pressure | 1.5MPa(215psi) | | | | | | | | | | |
| Temperature range | -5~70°C(Unfreeze) | | | | | | | | | | |
| Capacity of drain bowl | 25CC | | 60CC | | 100CC | | 108CC | | 205CC | | |
| Capacity of oil bowl | 36CC | | 98CC | | 185CC | | 225CC | | 410CC | | |
| Recommended lubricant | ISO VG 32 or equivalent | | | | | | | | | | |
| Weight | 750g | | 1300g | | 2390g | | 2460g | | 4600g | | |
| Constitute | Filter | GAF200-06 | GAF200-08 | GAF300-08 | GAF300-10 | GAF300-15 | GAF400-10 | GAF400-15 | GAF500-20 | GAF600-20 | GAF600-25 |
| | Regulator | GAR200-06 | GAR200-08 | GAR300-08 | GAR300-10 | GAR300-15 | GAR400-10 | GAR400-15 | GAR500-20 | GAR600-20 | GAR600-25 |
| | Lubricator | GAL200-06 | GAL200-08 | GAL300-08 | GAL300-10 | GAL300-15 | GAL400-10 | GAL400-15 | GAL500-20 | GAL600-20 | GAL600-25 |

[Note1] PT thread, G thread and NPT thread are available.

Ordering code

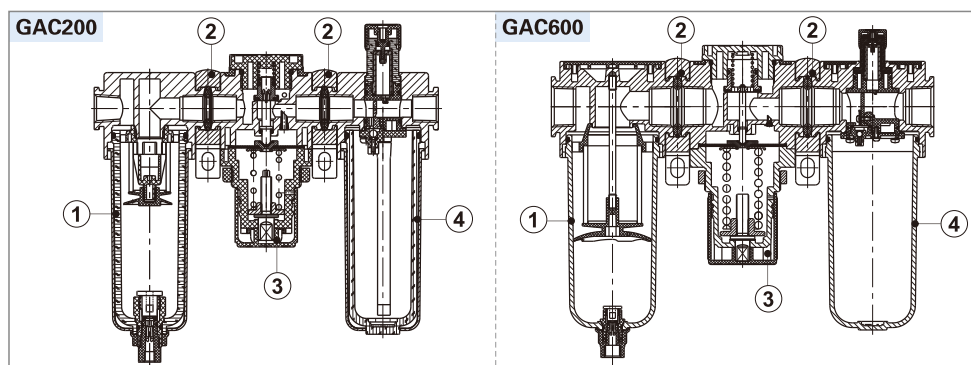
GAC300 □ 10 □ S □ W G K

① ② ③ ④ ⑤ ⑥ ⑦ ⑧ ⑨

| ① Model | ② Bowl material | ③ Port size | ④ Drain type | ⑤ Type code | ⑥ Pressure gauge | ⑦ Filtering grade | ⑧ Thread type | ⑨ Code of reflux valve |
|--------------------------------|---------------------------------|----------------------------------|--|---------------------------|--|-----------------------|---|---|
| GAC200:GA200 Series F.R.L unit | Blank: PC bowl C: Metal bowl | 06: 1/8" 08: 1/4" | Blank: Semi-auto drain +Manual drain A: Automatic drain | S: Standard | Blank: Circular N: No gauge [Note2] | Blank: 40μm W: 5μm | Blank: PT (MPa/psi) G: G (bar/MPa) T: NPT (psi/bar) | Blank: No reverse flow valve is attached K: Reverse flow valve is attached [Note2] |
| GAC300:GA300 Series F.R.L unit | | 08: 1/4" 10: 3/8" 15: 1/2" | | L: Lower pressure [Note1] | | | | |
| GAC400:GA400 Series F.R.L unit | N: Nylon bowl | 10: 3/8" 15: 1/2" | | | | | | |
| GAC500:GA500 Series F.R.L unit | | 20: 3/4" | | | | | | |
| GAC600:GA600 Series F.R.L unit | C: Metal bowl | 20: 3/4" 25: 1" | | S: Standard | | | | |

[Note1] The maximum work pressure of lower pressure type is 0.4MPa(58psi); [Note2] Please refer to page 201 for details of sealing plate Installation and reflux valve.

Inner structure



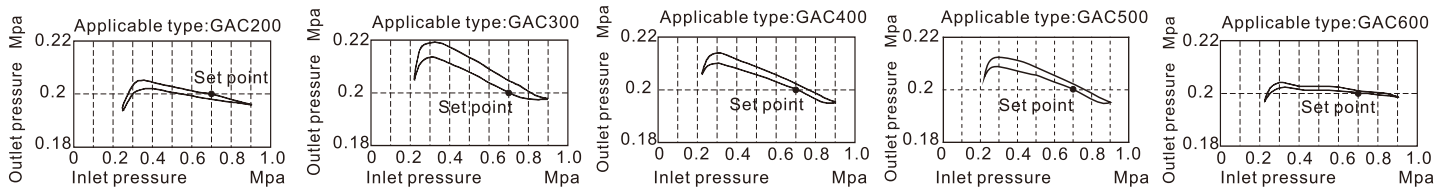
| No. | Item | No. | Item |
|-----|------------------|-----|----------------------|
| 1 | GA series filter | 3 | GA series regulator |
| 2 | Bracket | 4 | GA series lubricator |

Preparation unit—GA Series

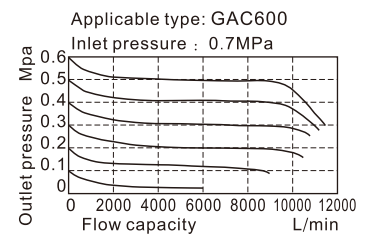
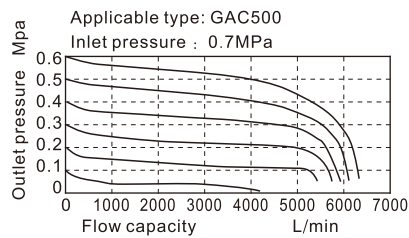
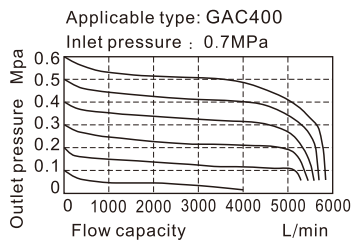
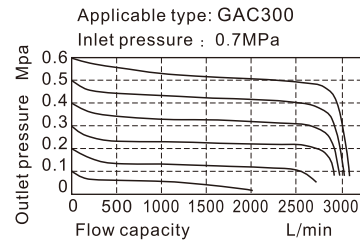
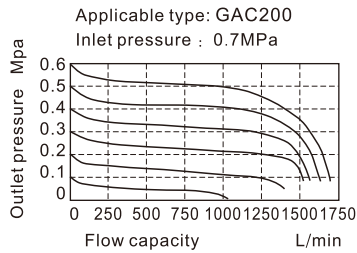


GAC Series F.R.L. combination

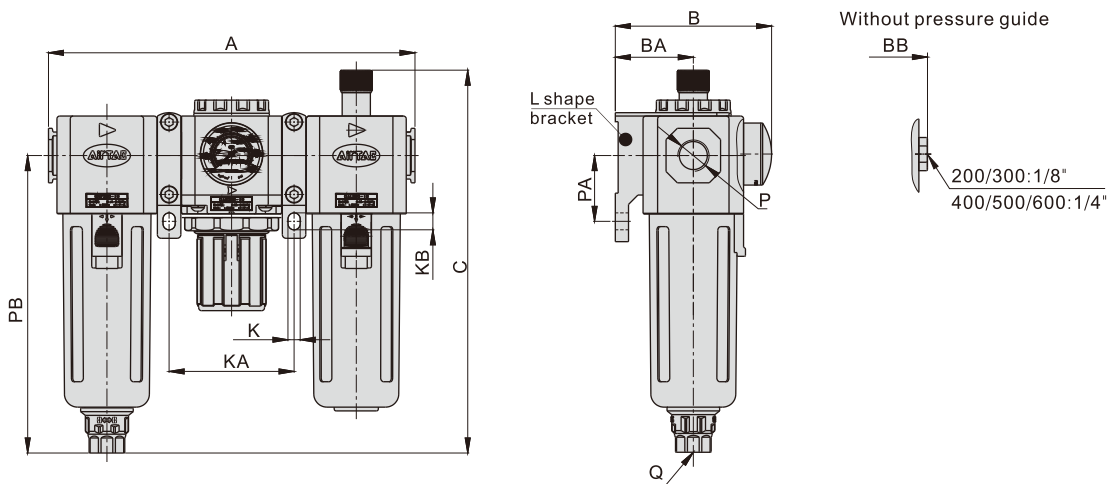
Pressure chart



Flow chart



Dimensions



| Model\Item | A | B | BA | BB | C | K | KA | KB | P | PA | PB | Q |
|------------|-------|-----|------|------|-------|-----|------|-----|------|----|-------|--------|
| GAC200-06 | 163.5 | 69 | 30 | 55.5 | 160 | 5.5 | 55.5 | 8.5 | 1/8" | 25 | 120 | M5X0.8 |
| GAC200-08 | 163.5 | 69 | 30 | 55.5 | 160 | 5.5 | 55.5 | 8.5 | 1/4" | 25 | 120 | M5X0.8 |
| GAC300-08 | 195 | 83 | 41.5 | 71.5 | 203.5 | 6.5 | 66.5 | 9 | 1/4" | 35 | 158 | G1/4 |
| GAC300-10 | 195 | 83 | 41.5 | 71.5 | 203.5 | 6.5 | 66.5 | 9 | 3/8" | 35 | 158 | G1/4 |
| GAC300-15 | 195 | 83 | 41.5 | 71.5 | 203.5 | 6.5 | 66.5 | 9 | 1/2" | 35 | 158 | G1/4 |
| GAC400-10 | 248 | 99 | 50 | 88 | 227 | 8.6 | 84 | 12 | 3/8" | 40 | 177.5 | G1/4 |
| GAC400-15 | 248 | 99 | 50 | 88 | 227 | 8.6 | 84 | 12 | 1/2" | 40 | 177.5 | G1/4 |
| GAC500-20 | 254 | 100 | 50 | 89 | 241 | 8.6 | 86 | 12 | 3/4" | 40 | 191.5 | G1/4 |
| GAC600-20 | 312 | 128 | 70 | 117 | 267.5 | 11 | 106 | 16 | 3/4" | 50 | 205 | G1/4 |
| GAC600-25 | 312 | 128 | 70 | 117 | 267.5 | 11 | 106 | 16 | 1" | 50 | 205 | G1/4 |

